

Introduction

India Chapter of National Lubricating Grease Institute (NLGI-IC) came into existence in 1997. NLGI-IC has its headquarters at IndianOil R&D Centre. Prime objective of NLGI-IC is to share information among members on Grease developments & applications related advancements. 15 corporate members from PSU oil companies and major private sectors, input suppliers, manufacturers, etc are the members of NLGI-IC. Since its inception, NLGI-IC has organised 18 education courses at various locations of India for the benefit of various industries. These education courses are popular among industries that are using lubricating greases.

Education Course

To educate and train people dealing with grease lubrication viz. manufacturers, users, input / equipment suppliers, etc., NLGI-IC organised 18 education courses covering different aspects of lubrication in number of industries such as Automotive, Steel Plants, Textile, Mining, Pharmaceutical, etc.

- 1st Grease Education Course on “Basics of Lubricating Greases” was organised in May, 1999 at Mumbai.



- 18th Grease Education Course on “Greases for Steel Industry” was organised at The Sonnet, Jamshedpur (see photograph above) during September 22-23, 2016, where around 35 delegates participated.

NLGI-India Chapter announces

19th Education Course On “Greases for Cement Industry” September 25-26, 2017 at RTC, JK Cement, Chittorgarh

Based on the feedback received from the previous education courses and decisions taken by the NLGI-IC board, the 19th Education Course will be organised as per the details given above. Well known experts available in the country will be sharing their experience and expertise with the participants. This will be a unique opportunity to interact with the experts and the participants may also discuss their industry related specific grease issues, if any.

This Education Course will cover the following topics:

- Overview of Cement Lubrication,
- Basics of friction wear and lubrication,
- Fundamentals of lubricating greases,
- High performance greases for Cement industry,
- Physicochemical evaluation of lubricating greases,
- Tribotesting of greases
- Base oils & additives,
- Application, Selection, Storage and Handling of disposal of greases,
- Environmental issues related to lubricants & greases and possible solutions,
- Case studies and condition monitoring.

Participants are also requested to present their field problems for the benefit of all participants. If any participant would like to present the case study, please send the details in advance for making suitable slot. Besides classroom training, a guided visit to Industry / laboratory is also planned.



19th Education Course On “Greases for Cement Industry” September 25-26, 2017 at RTC, JK Cement, Chittorgarh

Registration Form

Name
Designation
Organisation
Mailing Address
Telephone
Fax
E-mail

Registration Fee:

NLGI-IC Members

* Rs. 3000/- per participant upto 15-09-2017

* Rs. 3500/- per participant after 15-09-2017

Non-Members

* Rs. 3500/- per participant upto 15-09-2017

* Rs. 4000/- per participant after 15-09-2017

Mode of Payment: A/c payee bank draft in favour of **NLGI - India Chapter payable at Faridabad.**

DD no. Date

Name of Bank

Signature Date

Or

Online transfer

State Bank of India, C/o IOCL R&D Centre, Sec-13, Faridabad-121007

Account No. 31030558492, IFSC-SBIN0010449, Swift Code- SBININBB383

Please mail this form to:

Mr. Amitabh Akhauri

General Manager – Lube Sales

IOC (Marketing), HO, G 9, Ali Yavar Jung Marg, Bandra(East), Mumbai-400051

Phone/ Mobile: 022-26447121 7121 / 07045951116

Email: aakhauri@indianoil.in

Organising Secretary

Mr. Amitabh Akhauri

General Manager – Lube Sales
IOC (Marketing), HO,
G 9, Ali Yavar Jung Marg,
Bandra (East), Mumbai 400 051
Phone/ Mobile: 022-26447121 7121 / 07045951116
Email: akhauri@indianoil.in

DURATION: September 25-26, 2017

VENUE: RTC, JK Cement, Chittorgarh

Registration Fee:

Before due date (15-09-2017)	After due date (15-09-2017)
* Rs. 3000/- for NLGI-IC members & Rs. 3500/- for non-members	*Rs. 3500/- for NLGI-IC members & Rs. 4000/- for non-members
* Participation fee must reach to NLGI-IC HQ within stipulated time.	

Registration:

Registration fee may be sent online using following details –
State Bank of India, C/o IOCL R&D Centre, Sec-13, Faridabad-121007
Account No. 31030558492, IFSC-SBIN0010449, Swift Code- SBININBB383

Alternatively fee can be sent by A/c payee demand draft in favour of **“NLGI-India Chapter” payable at Faridabad.**

Kindly confirm your participation along with registration fee by sending the duly filled in registration form attached with this circular to the organising secretary.

Hotel Stay

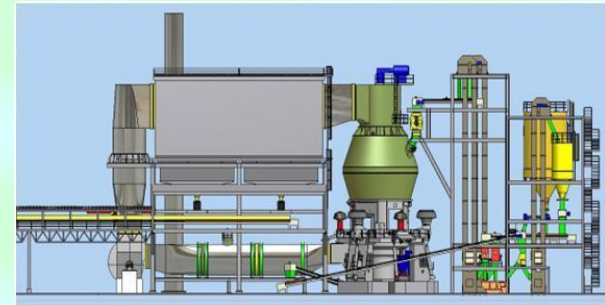
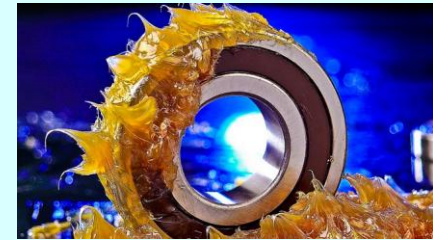
Delegates can directly book their accommodation at Hotel Royal Paras, through Telephone or Email mentioning to apply the NLGI Education course tariff.

Room	Tariff (Rs/Night)*	
	Single Occupancy	Double Occupancy
Deluxe (CP Plan)**	1430	1800
Deluxe (MAP Plan)**	1730	2400

*GST is EXTRA (@ 12%)

**Plan (CP or MAP)- Guest can choose as per their requirement

Hotel Royal Paras,
 Chittor Road, Vikram Nagar, Nimbaheera (Raj)
 Ph- 01477-222594, 291594
 Email: hotelroyalparas@gmail.com
 Contact Person- Mr Pushpendra
 Mob:- 09929103594; 09928680823



19th Education Course
 On
“Greases for Cement Industry ”

 September 25-26, 2017
 at
RTC, JK Cement, Chittorgarh

